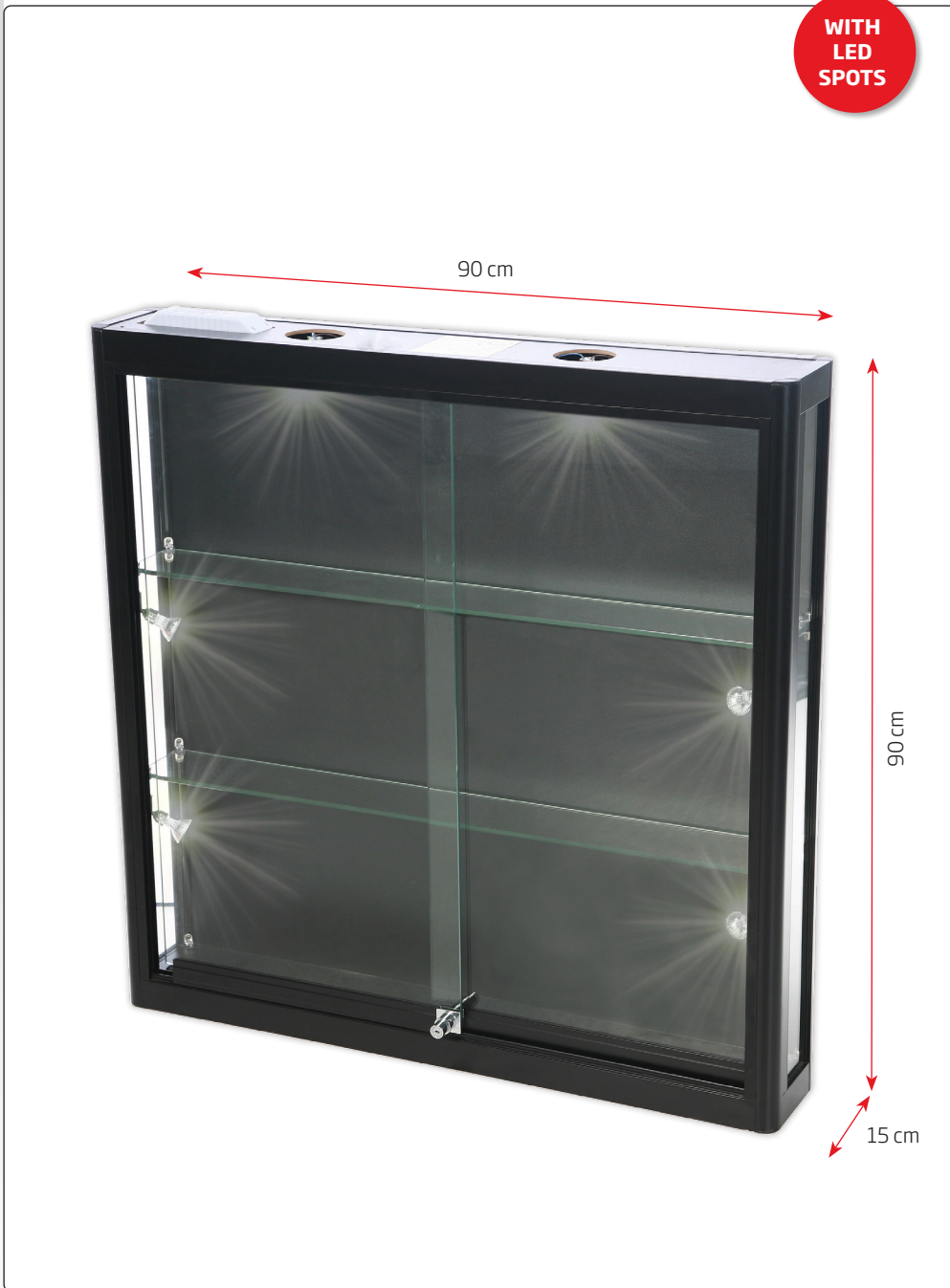
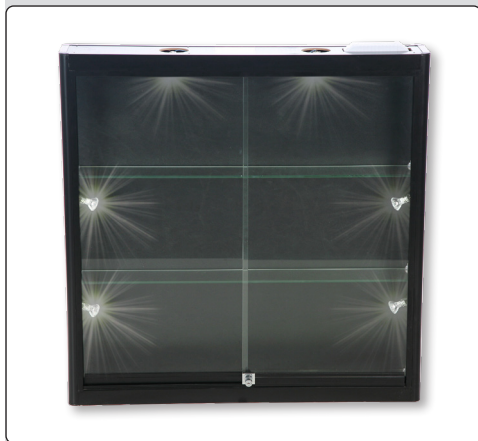


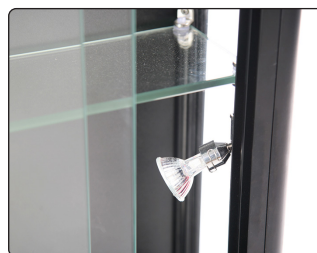
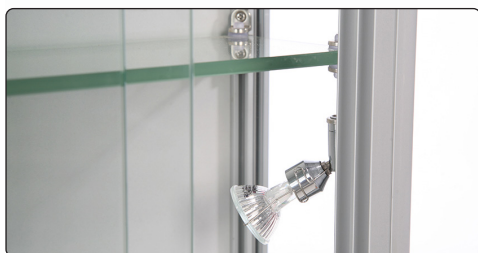
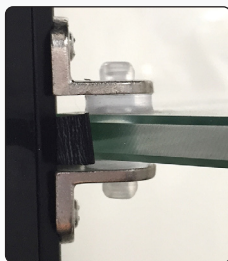
WITH
LED
SPOTS



🇬🇧 Exclusive glass cabinet for wall mounting in silver or black anodized aluminum and tempered glass and with two 7 mm glass shelves - 6 LED spots. The sliding doors are lockable.

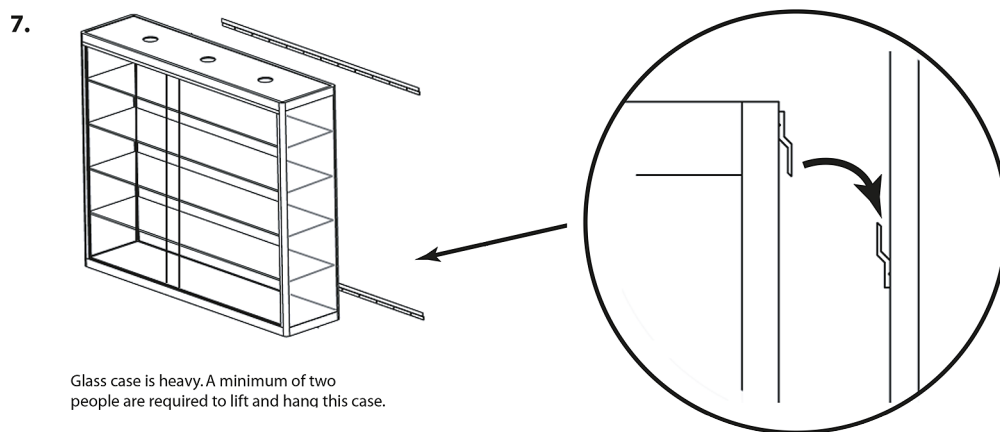
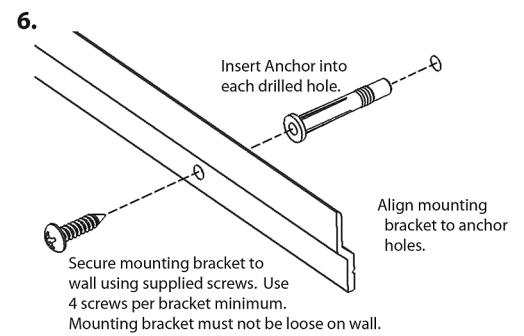
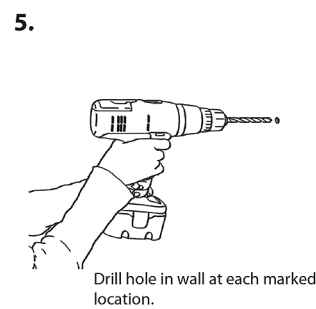
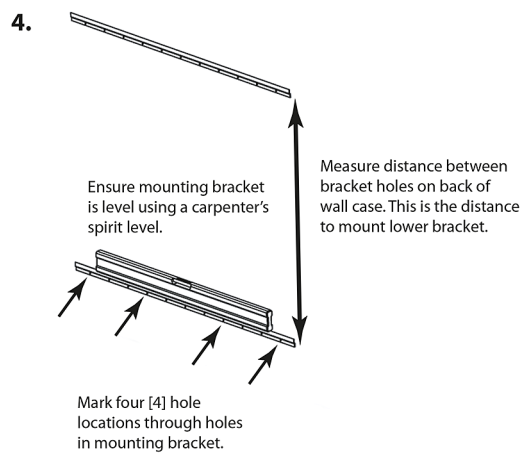
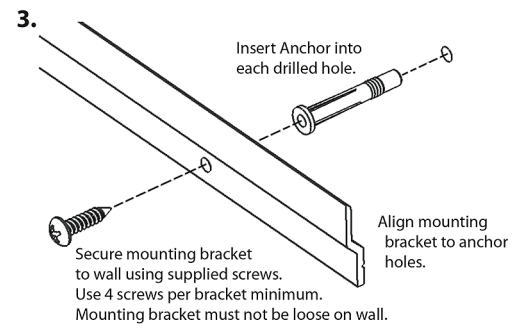
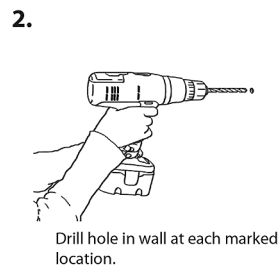
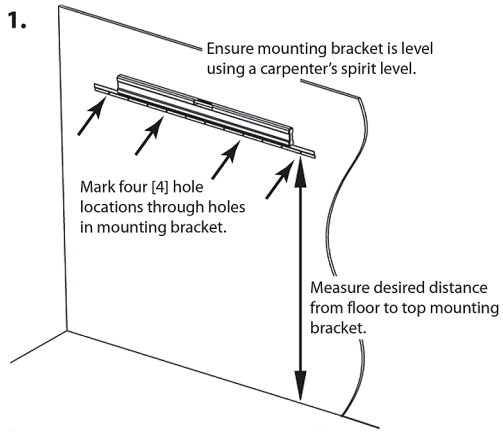
🇩🇪 Exklusive Vitrine in silber oder schwarz eloxiertem Aluminium für die Wandmontage mit gehärtetem Glas und zwei 7 mm Glassböden - 6 LED Leuchten. Die Schiebetüren sind abschließbar.

🇩🇰 Eksklusivt vitrineskab til vægophæng i sølv- eller sorteloxeret aluminium og hærdet glas med to 7 mm glashylder - 6 LED spot. Skydelågerne er med lås.



Model	Article	Total W x H x D	Weight	Colour	Package size and weight	Pallet size and quantity
1052	8418LED	90 x 90 x 15 cm	23 kg	Silver	98 x 105 x 23 cm 38 kg	80 x 116 x 120 cm 3 pcs.
1053	8419LED	90 x 90 x 15 cm	23 kg	Black	98 x 105 x 23 cm 38 kg	80 x 116 x 120 cm 3 pcs.

Wall mounting of Showcase Wall



IMPORTANT!
Two Person Lift

